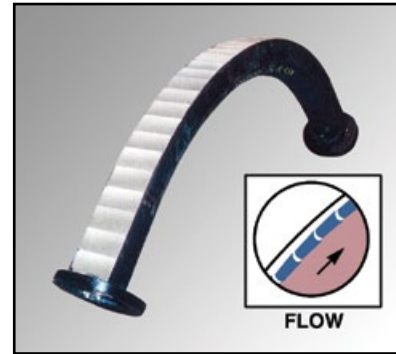
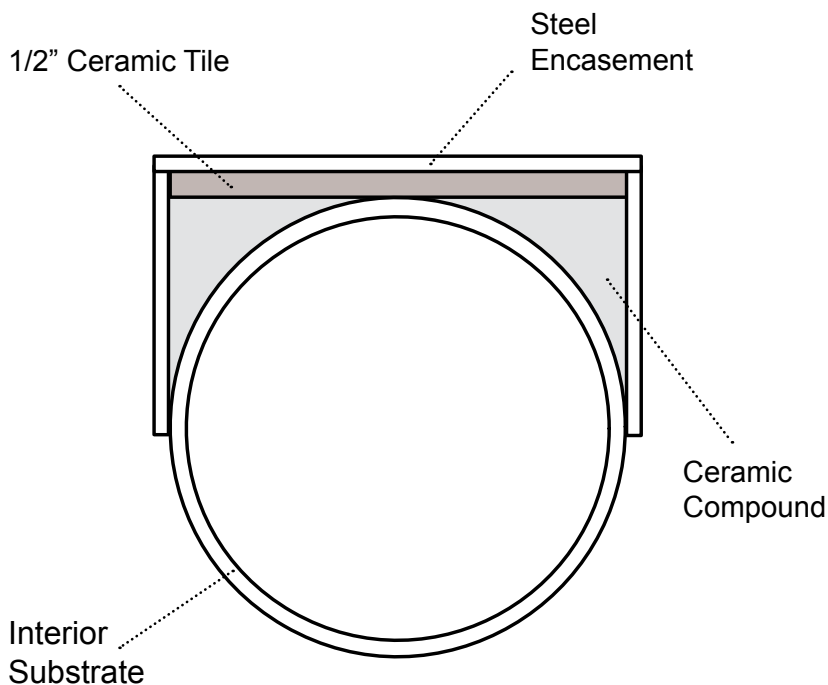


# Ceramic Flat-Back

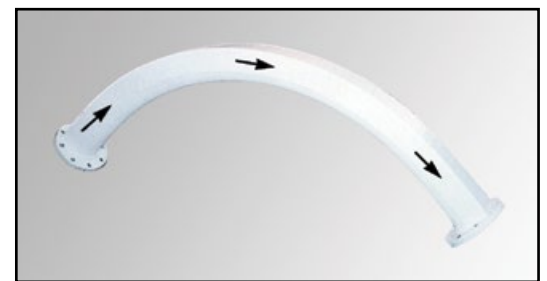
Designed and manufactured for extremely abrasive applications. The key to our Cast Ceramic "Flat-Back" elbow is that it uses a pipe or tube for the inner core substrate. Using a pipe or tube core lessens the wear caused by the outlet transition, which is no longer needed (going from square back to round).

## Cross-Section of Flat-Back® Elbow



\*Flat-Back without cover showing cast tiles

- Highly Abrasion Resistant
- Impact Resistant
- Easily replaces existing elbows
- Does not change line flow
- Available in any degree & CLR
- Available in CS and SS
- Available in Pipe or Tube



\*after completion showing flow direction

Available in plain ends, flanged ends, grooved ends, or other specified ends. Special orders are welcome.